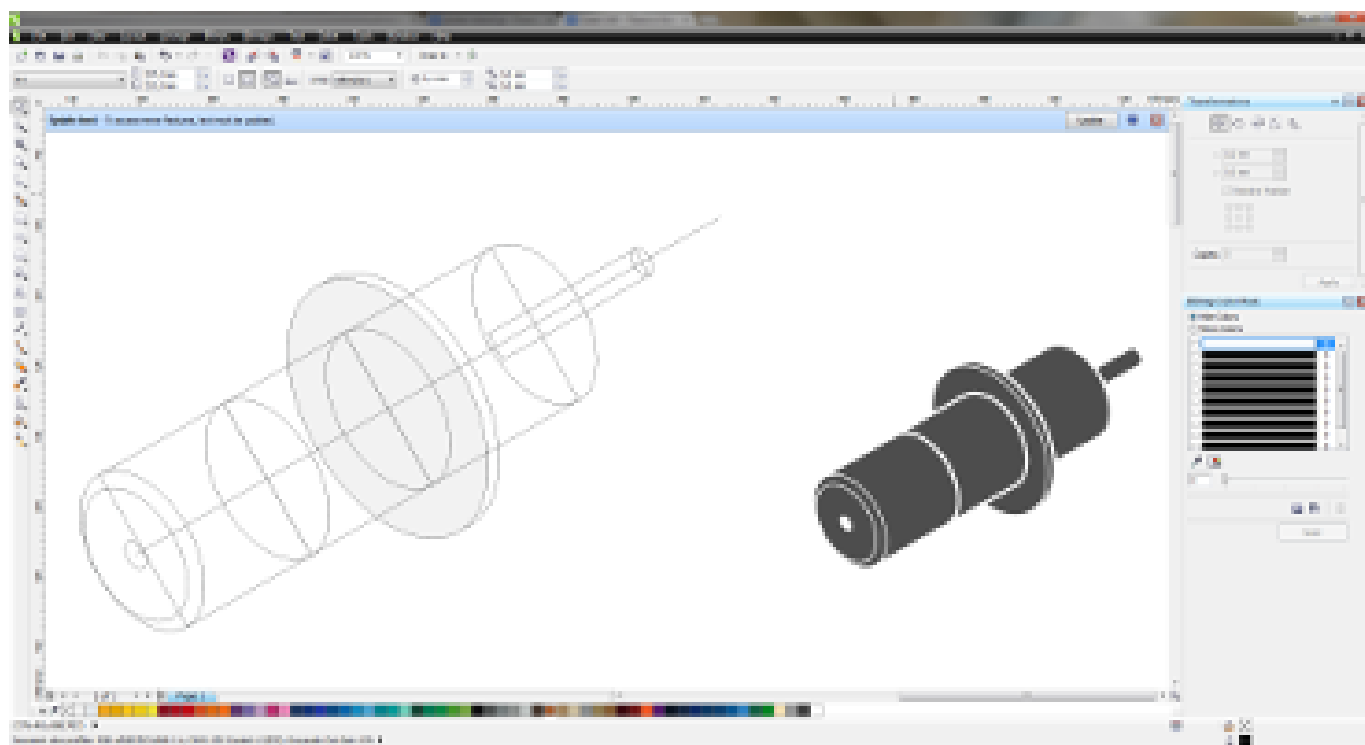

Ecute Corel Draw Download 92



DOWNLOAD: <https://byltly.com/29a1ky>

Download

a9c2e16639

[the arrangement 20 epub 44](#)
[Hitman.2-CPY fitgirl repack](#)
[keygen camtasia studio 8 yahoo](#)
[chelda special zip](#)
[Porn. male mature hot daddys.](#)
[Magic.DVD.Copier.v7.0.0-LAXiTY Serial Key keygen](#)
[SimCity-Razor1911 DRM Free](#)
[Carriers Br Rip 720p 500mb-mkv seldigeorg](#)
[Tone2 Firebird VSTi V1.2.1 Incl. Keygen - AiR Serial Key](#)
[download film umar bin khattab full movie subtitles indonesia](#)